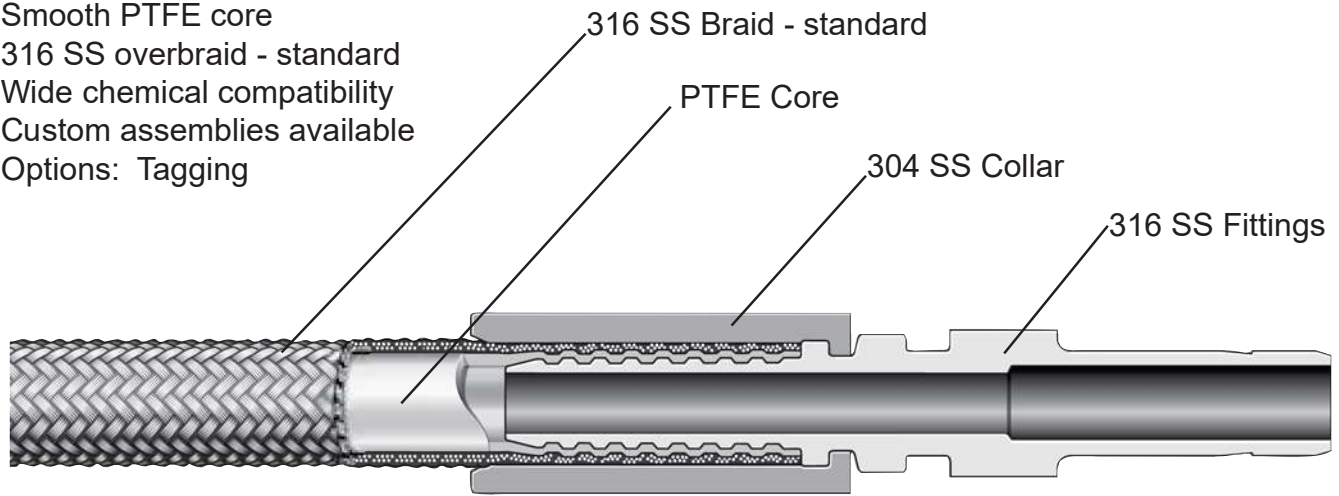


Features:

- Permeation resistant PTFE hose
- Smooth PTFE core
- 316 SS overbraid - standard
- Wide chemical compatibility
- Custom assemblies available
- Options: Tagging



Working Parameters

Hose Size in(mm)	Inside Diameter in(mm)	Outside Diameter in(mm)	Min. Bend Radius in (cm)		Temp Range F (C)	Vacuum (28.5"Hg) Temp Rate F (C)	Working Press. @ 70 F(C)	Min. Burst Press. @ 70 F(C)	Hose Weight lb/ft(kg/m)
			Static	Dynamic					
1/4(6.4)	0.19(4.8)	0.31(7.9)	1.5(3.81)	2.00(5.08)	-65 to 450 (-53 to 230)	450(230)	3000(206)	12000(826)	0.08(0.12)
3/8(9.5)	0.31(7.9)	0.44(11.1)	3.50(8.89)	5.00(12.7)		450(230)	2500(172)	10000(689)	0.12(0.17)
1/2(12.7)	0.41(10.3)	0.56(14.3)	4.50(11.4)	6.00(15.2)		450(230)	2000(137)	8000(551)	0.15(0.22)

Temperature - Pressure Constraints

Hose Size	1/4"	3/8"	1/2"
Temperature F (C)	Working Pressure Limit - psig(bar)		
-65(-53)	2250(155)	2250(155)	2000(137)
09(17) to 100(37)	3000(206)	2500(172)	2000(137)
200(93) to 450(230)	2250(155)	1875(129)	1500(103)

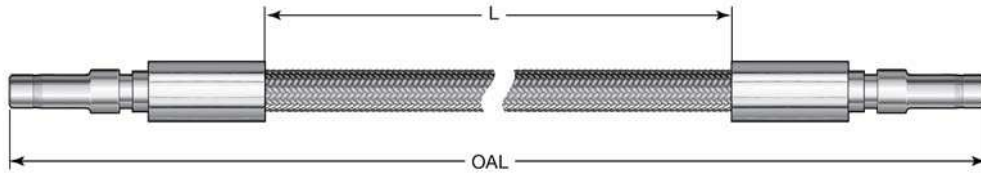
Testing

All hose assemblies are tested to 1.5x working pressure for 60 seconds. No pressure drop allowed.

Packaging

All hose assemblies are cleaned and individually bagged and boxed.

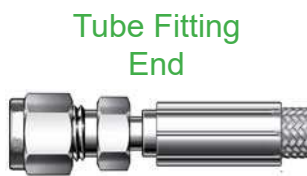
Tube Stub End Assemblies



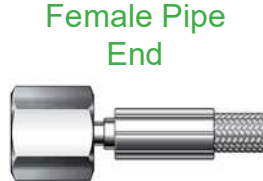
Hose Size	Tube Stub Size	Overall Length OAL	Part Number	Dimensions		
				Live Length L	End connection Inside Diameter	Major Diameter
Inches		in (mm)		in (mm)	in (mm)	in (mm)
1/4"	1/4"	8.00 (203)	TH-__-__-4-6-__	3.92 (100)	0.13 (3.3)	0.49 (12.4)
		14.0 (356)	TH-__-__-4-12-__	9.92 (252)		
		20.0 (508)	TH-__-__-4-18-__	15.9(404)		
		26.0 (660)	TH-__-__-4-24-__	21.9 (556)		
		38.0 (965)	TH-__-__-4-36-__	33.9 (861)		
		50.0 (1270)	TH-__-__-4-48-__	45.9 (1170)		
		62.0 (1570)	TH-__-__-4-60-__	57.9 (1470)		
		74.0 (1880)	TH-__-__-4-72-__	69.9 (1780)		
		122 (3100)	TH-__-__-4-120-__	118 (3000)		
3/8"	3/8"	14.0 (356)	TH-__-__-6-12-__	9.64 (245)	0.23 (5.8)	0.59 (15.0)
		20.0 (508)	TH-__-__-6-18-__	15.6 (396)		
		26.0 (660)	TH-__-__-6-24-__	21.6 (549)		
		38.0 (965)	TH-__-__-6-36-__	33.6 (853)		
		50.0 (1270)	TH-__-__-6-48-__	45.6 (1160)		
		62.0 (1570)	TH-__-__-6-60-__	57.6 (1460)		
		74.0 (1880)	TH-__-__-6-72-__	69.6 (1770)		
1/2"	1/2"	14.5 (36.8)	TH-__-__-8-12-__	9.04 (230)	0.34 (8.6)	0.78 (19.8)
		20.5 (521)	TH-__-__-8-18-__	15.0 (381)		
		26.5 (673)	TH-__-__-8-24-__	21.0 (53.3)		
		38.5 (97.8)	TH-__-__-8-36-__	33.0 (838)		
		50.5 (1280)	TH-__-__-8-48-__	45.0 (1140)		
		62.5 (1590)	TH-__-__-8-60-__	57.0 (1450)		
		74.5 (1890)	TH-__-__-8-72-__	69.0 (1750)		
		122.5 (3110)	TH-__-__-8-120-__	117 (2970)		



TUBE STUB
END



Tube Fitting
End



Female Pipe
End



Male Pipe
End

Ordering Tree

TH-S44-S44-6-24-X-X

TH = Teflon Hose

First Tube End Connections

- S44 = 1/4" Tube Stub End - Size 4 Hose
- S66 = 3/8" Tube Stub End - Size 6 Hose
- S88 = 1/2" Tube Stub End - Size 8 Hose
- S68 = 3/8" Tube Stub End - Size 8 Hose
- T24 = 1/8" Tube Fitting- Size 4 Hose Only
- T44 = 1/4" Tube Fitting- Size 4 Hose Only
- T66 = 3/8" Tube Fitting- Size 6 Hose Only
- T88 = 1/2" Tube Fitting- Size 8 Hose Only
- M44 = 1/4" mnpt Fitting - Size 4 Hose
- M46 = 1/4" mnpt Fitting - Size 6 Hose
- M48 = 1/4" mnpt Fitting - Size 8 Hose
- F44 = 1/4" fnpt Fitting - Size 4 Hose
- F46 = 1/4" fnpt Fitting - Size 6 Hose
- M66 = 3/8" mnpt Fitting - Size 6 Hose
- M68 = 3/8" mnpt Fitting - Size 8 Hose
- F66 = 3/8" fnpt Fitting - Size 6 Hose Only
- M88 = 1/2" mnpt Fitting- Size 8 Only
- F88 = 1/2" fnpt Fitting - Size 8 Only

First Tube End Connections

- S44 = 1/4" Tube Stub End - Size 4 Hose
- S66 = 3/8" Tube Stub End - Size 6 Hose
- S88 = 1/2" Tube Stub End - Size 8 Hose
- S68 = 3/8" Tube Stub End - Size 8 Hose
- T24 = 1/8" Tube Fitting- Size 4 Hose Only
- T44 = 1/4" Tube Fitting- Size 4 Hose Only
- T66 = 3/8" Tube Fitting- Size 6 Hose Only
- T88 = 1/2" Tube Fitting- Size 8 Hose Only
- M44 = 1/4" mnpt Fitting - Size 4 Hose
- M46 = 1/4" mnpt Fitting - Size 6 Hose
- M48 = 1/4" mnpt Fitting - Size 8 Hose
- F44 = 1/4" fnpt Fitting - Size 4 Hose
- F46 = 1/4" fnpt Fitting - Size 6 Hose
- M66 = 3/8" mnpt Fitting - Size 6 Hose
- M68 = 3/8" mnpt Fitting - Size 8 Hose
- F66 = 3/8" fnpt Fitting - Size 6 Hose Only
- M88 = 1/2" mnpt Fitting- Size 8 Only
- F88 = 1/2" fnpt Fitting - Size 8 Only

Hose Size

- 4 = Nominal 1/4"
- 6 = Nominal 3/8"
- 8 = Nominal 1/2"

- Nominal Over All Length in Inches
- 8
 - 12
 - 18
 - 24
 - 36
 - 48
 - 60
 - 72
 - 120
 - Call for any other length

Options:

- X = None
- N = Nitrogen Purge
- L = lanyard Tag
- L2 = Two Lanyard Tags
- C = Clamp Tag

Specials:

- X = None